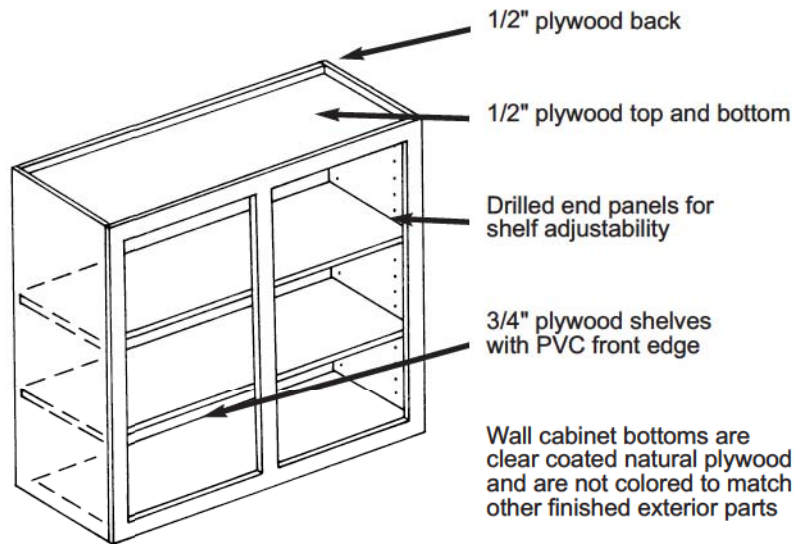
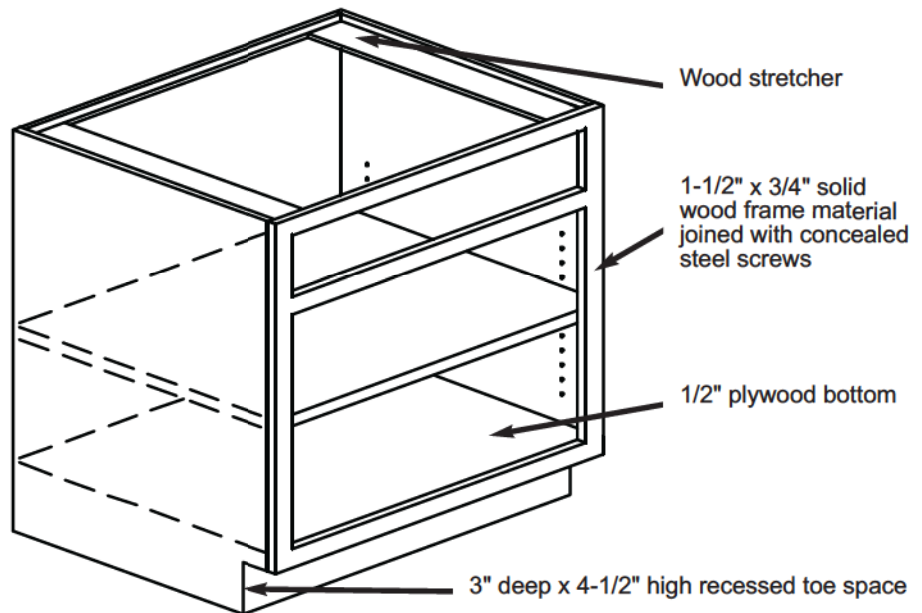


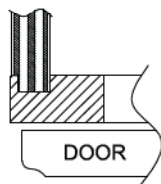
## Wall Cabinets



## Base Cabinets

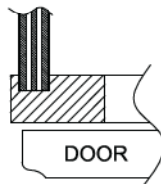


## Finished End



Finished ends have a 5/8" thick plywood near flush end panel

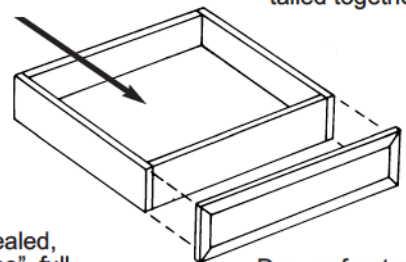
## Concealed End



Concealed ends have a 1/2" thick plywood end panel with 1/8" reveal for trimmability

## Drawer Box

3/8" plywood bottom



5/8" solid maple hardwood, dove-tailed together

Fully concealed, "active-close", full extension soft close bottom mount slides

Drawer front and box are separate

